

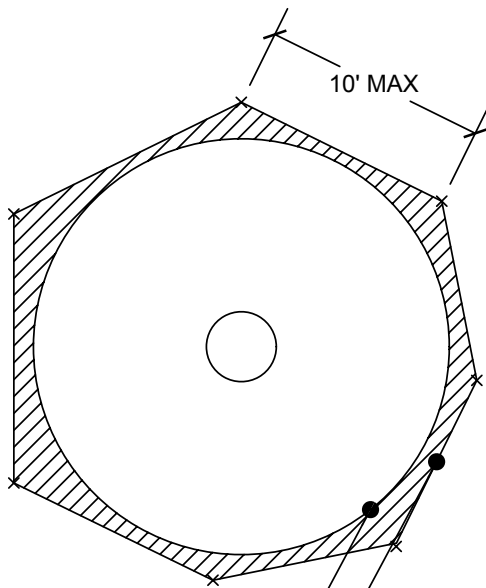
## TREE PROTECTION FENCING NOTES

1. TREE PROTECTION SHALL FENCE SHALL BE MINIMUM 5 FEET TALL CONSTRUCTED OF STURDY MATERIAL (CHAIN LINK OR EQUIVALENT STRENGTH/DURABILITY). MOUNTED ON VERTICAL PIPES DRIVEN 2'-0" IN THE GROUND, AT APPROXIMATELY 8'-0" TO 10'-0" (MAX.) ON CENTER, WITH NO GATES.

IN AREAS WHERE SUPER SILT FENCE (SSF) AND TREE PROTECTION FENCE RUN PARALLEL, SSF MAY BE UTILIZED FOR TREE PROTECTION PURPOSES UPON APPROVAL BY THE CITIES' URBAN FORESTER.

2. TREE PROTECTION FENCING SHALL BE ERECTED AT THE CRITICAL ROOT ZONE OR BEYOND PRIOR TO START OF ANY CLEARING, GRADING, OR OTHER CONSTRUCTION ACTIVITY. SIGNS STATING "NO ENTRY, TREE PROTECTION AREA, CALL 864467-4345 TO REPORT VIOLATIONS" ARE TO BE POSTED IN BOTH ENGLISH AND SPANISH. SEE REFERENCE DETAIL 2.A. TREE PROTECTION SHALL NOT BE REMOVED UNTIL COMPLETION OF ALL CONSTRUCTION ACTIVITY.

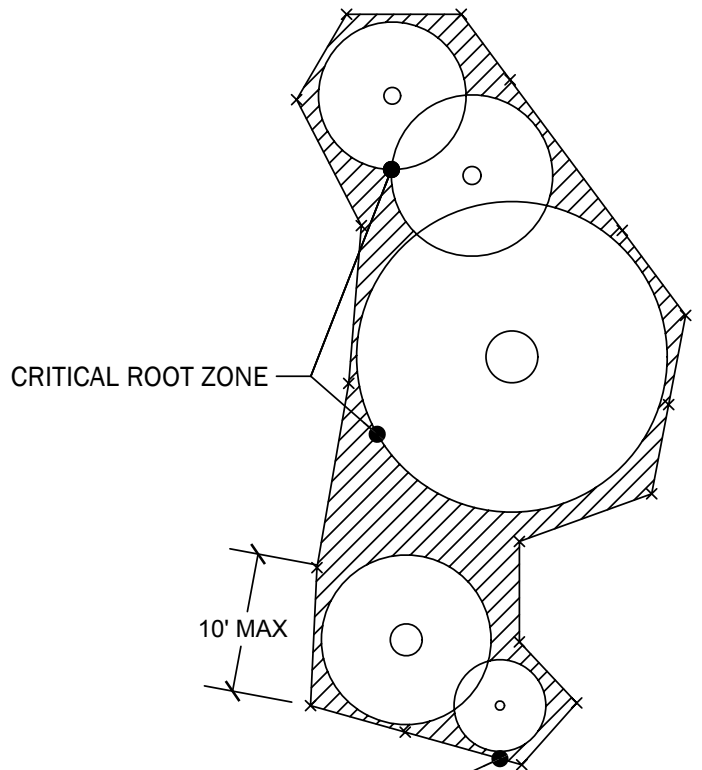
3. FOR QUESTIONS RELATED TO TREE PROTECTION OR FOR FIELD INSPECTION OF TREE PROTECTION, CONTACT THE CITIES URBAN FORESTER AT 864-467-4345



CRITICAL ROOT ZONE

4'-0" DURABLE FENCING

SINGLE OR SPECIMEN TREE



CRITICAL ROOT ZONE

10' MAX

4'-0" DURABLE FENCING

MULTIPLE OR CLUSTERED TREES

### TREE PROTECTION FENCE

PROJECT NO.	REVISION	NO.	DATE	BY/CHKD

